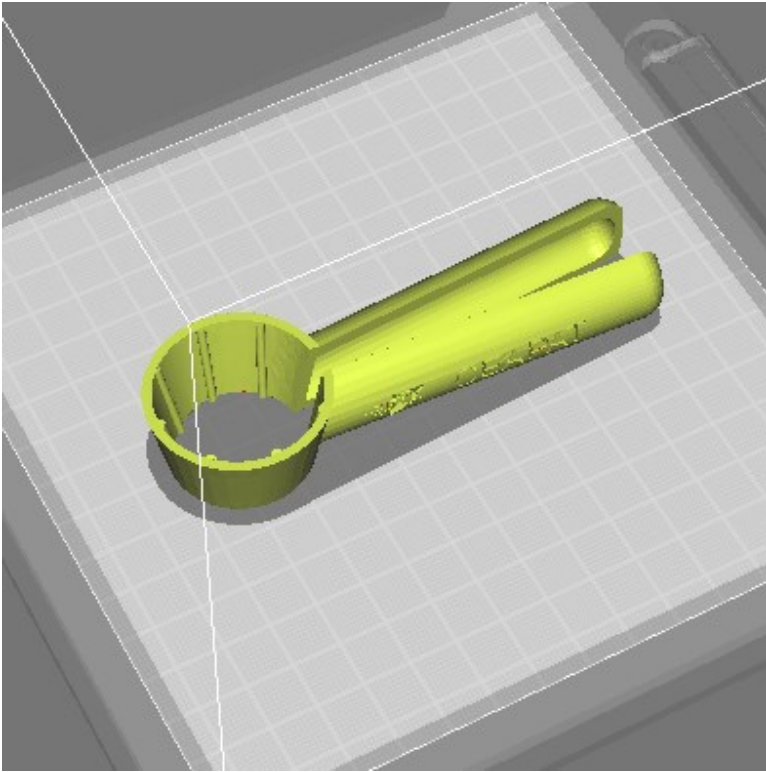


# Louisville Public Library 3D Print Accessibility Catalog

All files in this catalog can be printed by request free of charge.

Please submit a 3D print request found: [http://  
www.louisvilleco.gov/government/departments/louisville-  
library/makerspace/makerspace-equipment](http://www.louisvilleco.gov/government/departments/louisville-library/makerspace/makerspace-equipment)

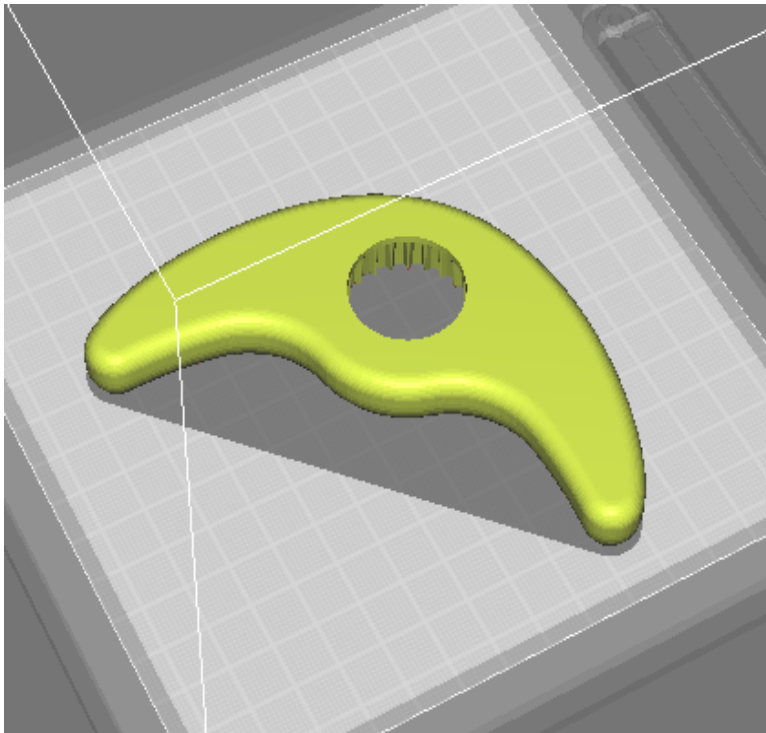


Bottle Opener 1

Print Time: 1 hour, 9 min

Scale of X: 38 mm

Special instructions:

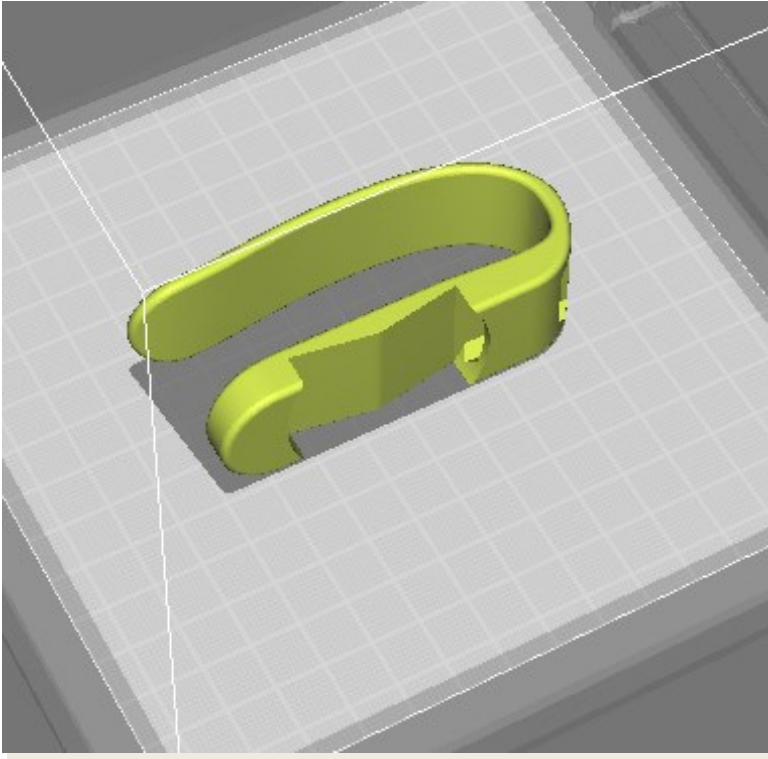


Bottle Opener 2

Print Time: 1 hour, 28 min

Scale of X: 102.6 mm

Special instructions:

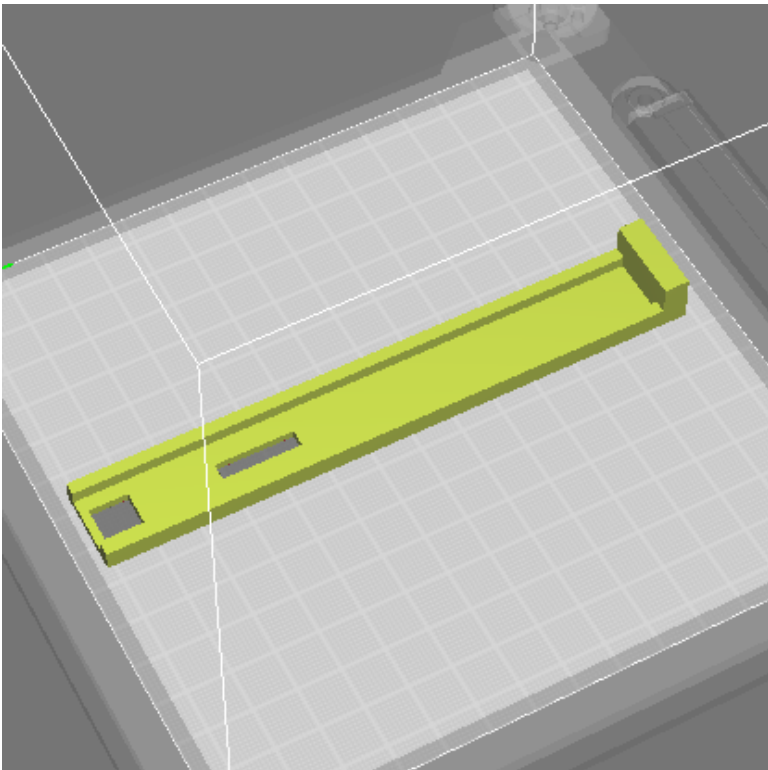


Fork/Spoon Assist

Print Time: 1 hour, 9 min

Scale of X: 37.3 mm

Special instructions:

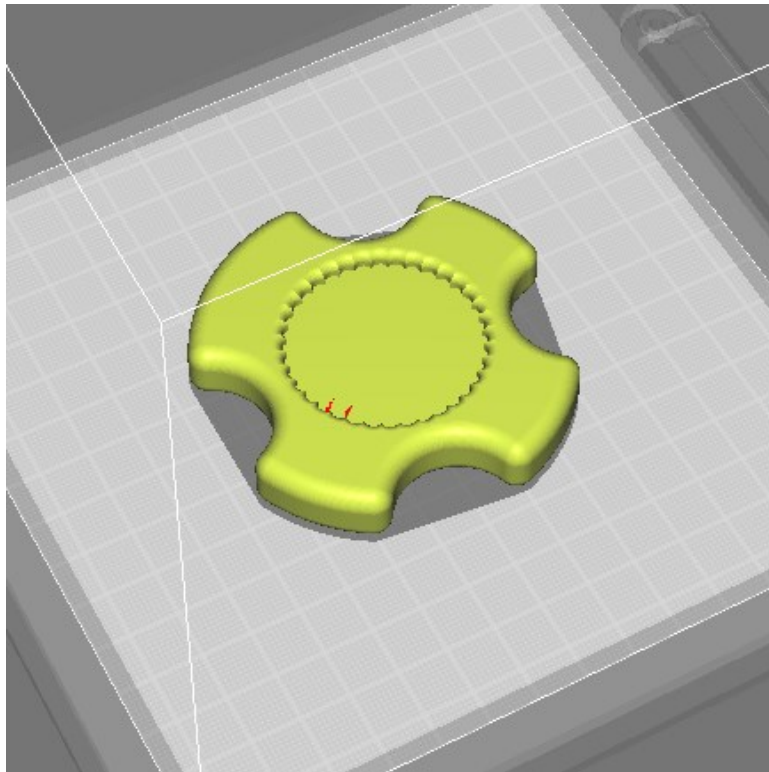


Light Switch Extender

Print Time: 45 min

Scale of X: 20 mm

Special instructions:

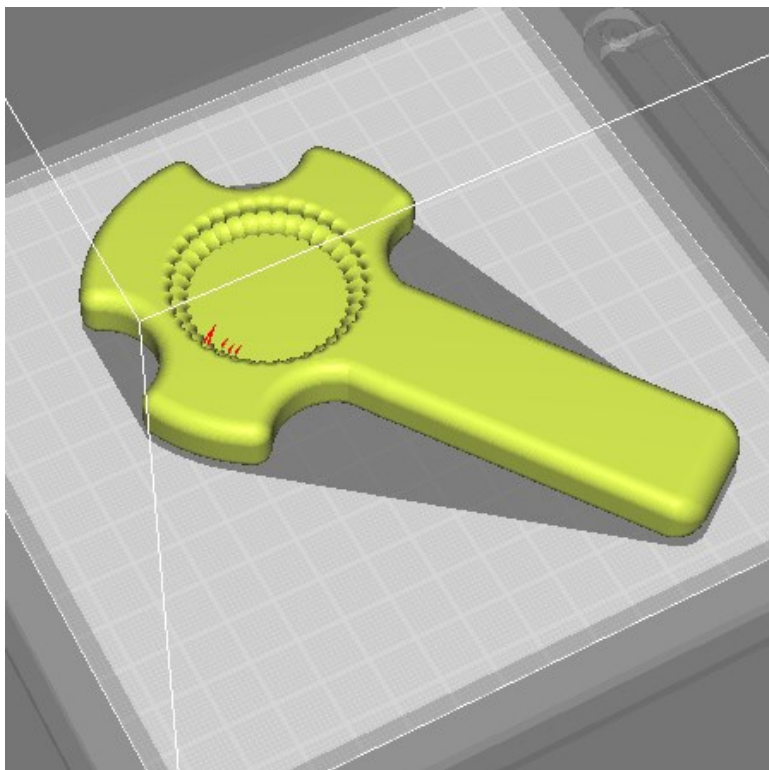


Medication Bottle Assister 1

Print Time: 1 hour, 16 min

Scale of X: 74.3 mm

Special instructions:

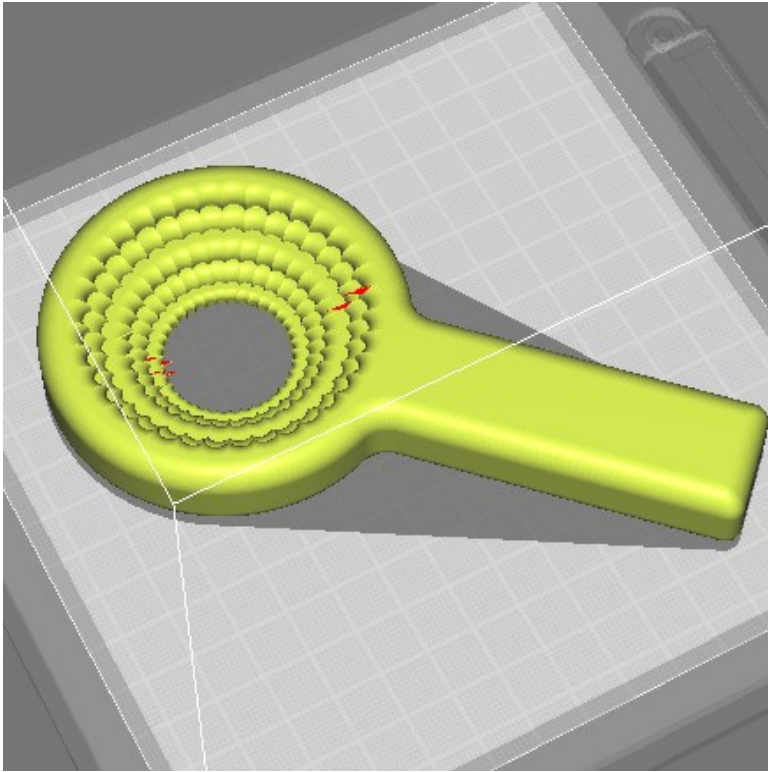


Medication Bottle Assister 2

Print Time: 1 hour, 49 min

Scale of X: 125 mm

Special instructions:

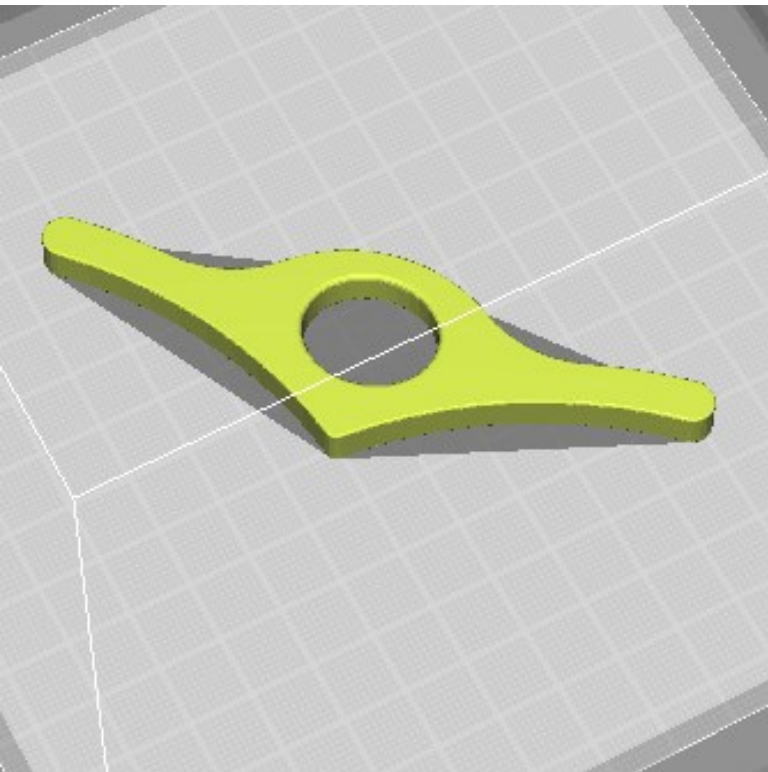


### Medication Bottle Assister 3

Print Time: 2 hours, 24 min

Scale of X: 121.3 mm

Special instructions:



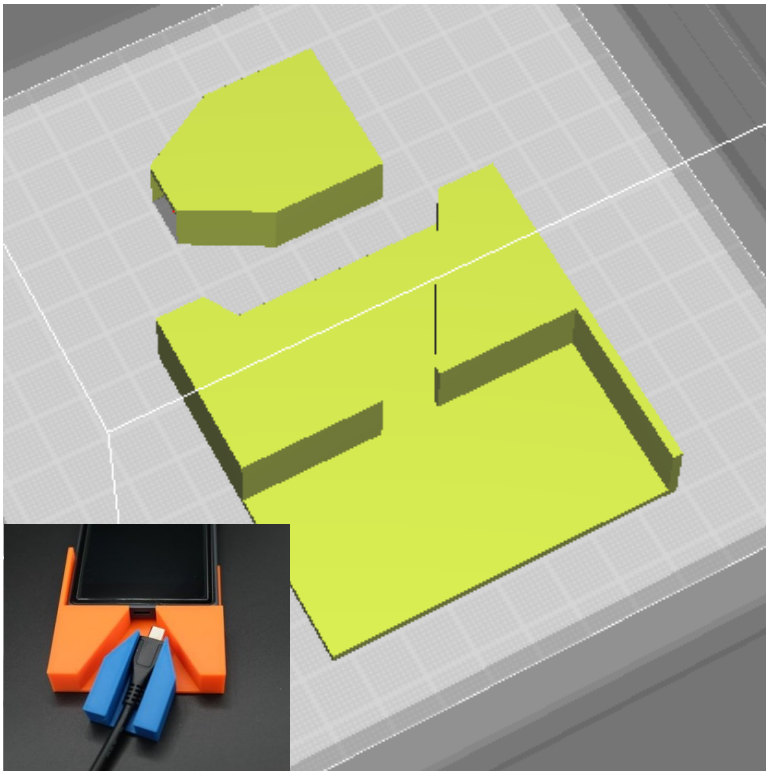
### Book Holder with Thumb Hole

Print Time: 25 min

Scale of X: 77.3 mm

Special instructions:



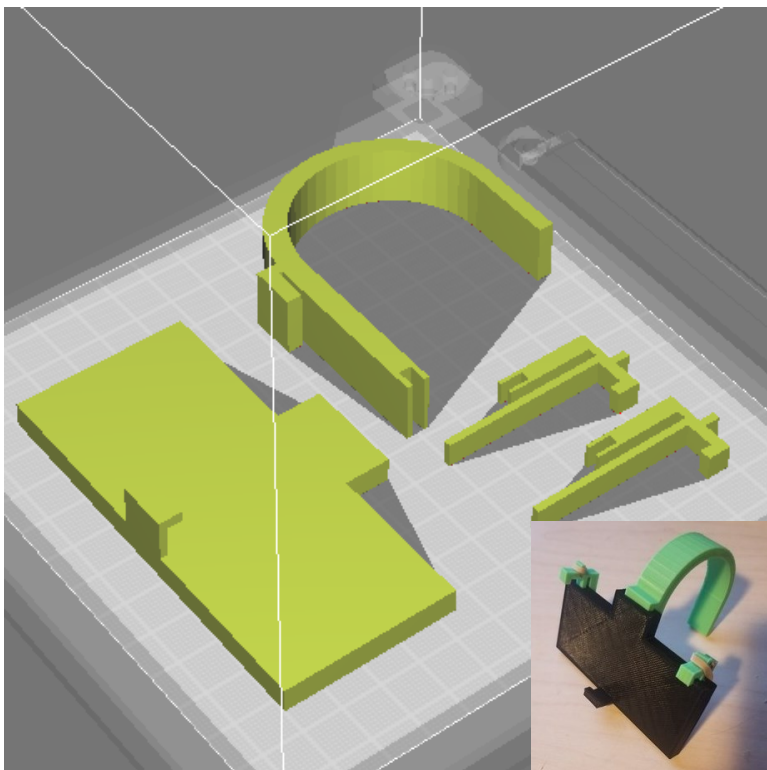


## Cell Phone Plug Aid

Print Time: 1 hour, 50 min

Scale of X: 70 mm (large piece)  
30 mm (small piece)

Special instructions:

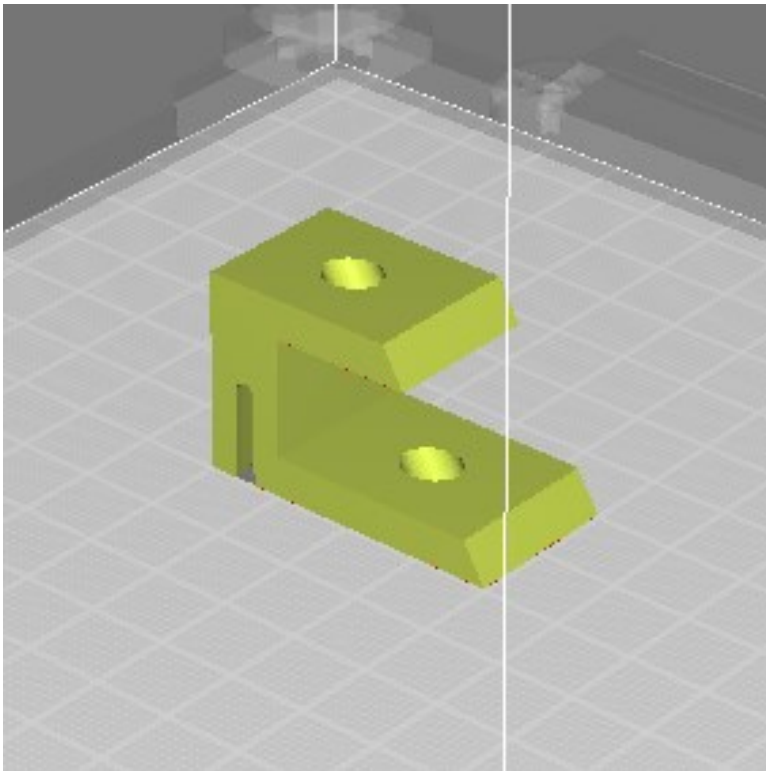


## Cell Phone Arm Holder

Print Time: 2 hours, 22 min

Scale of X: 101.6 mm (plate)  
74.9 mm (wrist)  
19.5 mm (clamp)

Special instructions:

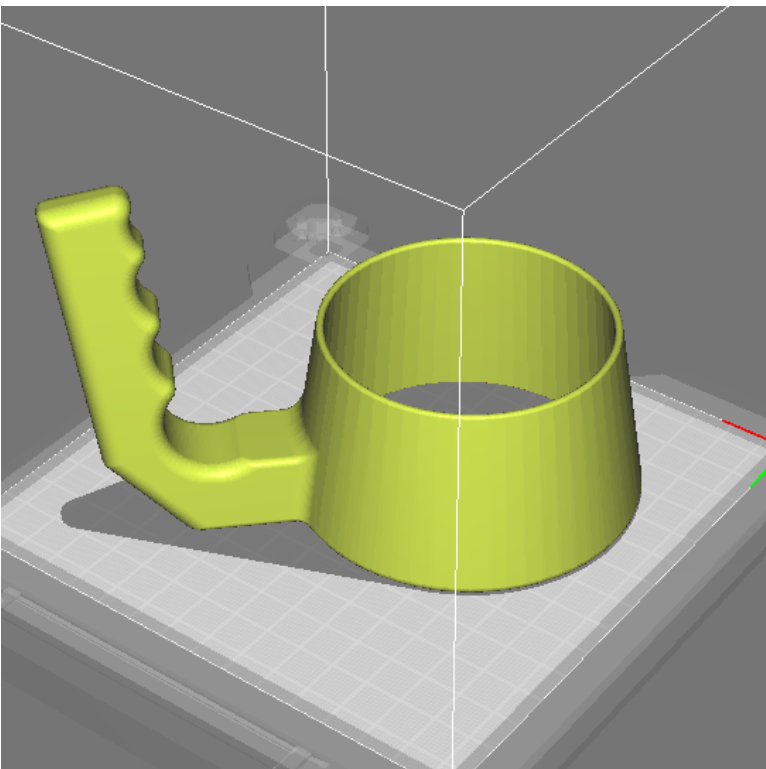


## Straw Holder for Cups

Print Time: 45 min

Scale of X: 39.7 mm

Special instructions:

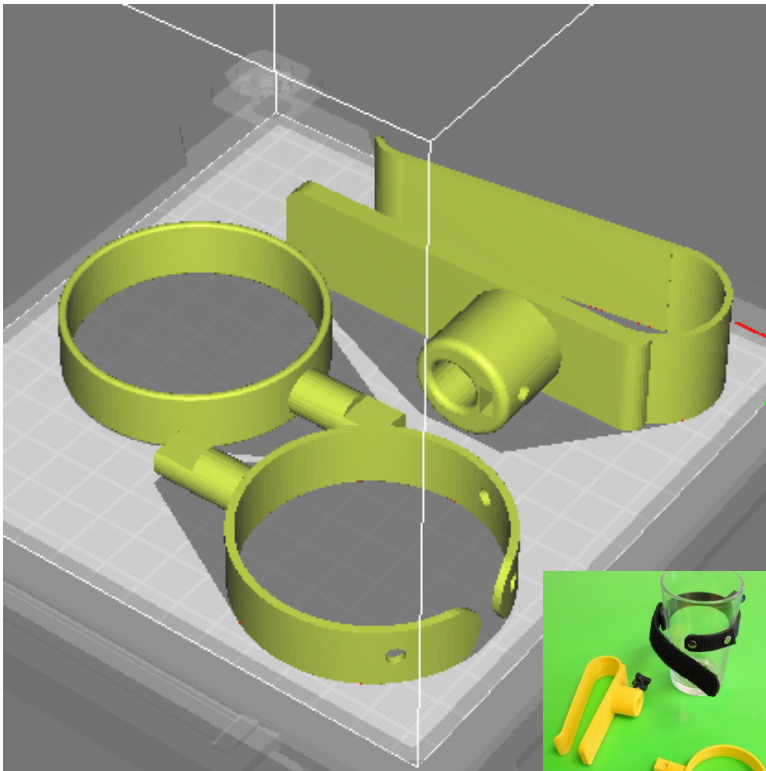


## Paper Cup Handle

Print Time: 4 hours, 41 min

Scale of X: 122.4 mm

Special instructions:

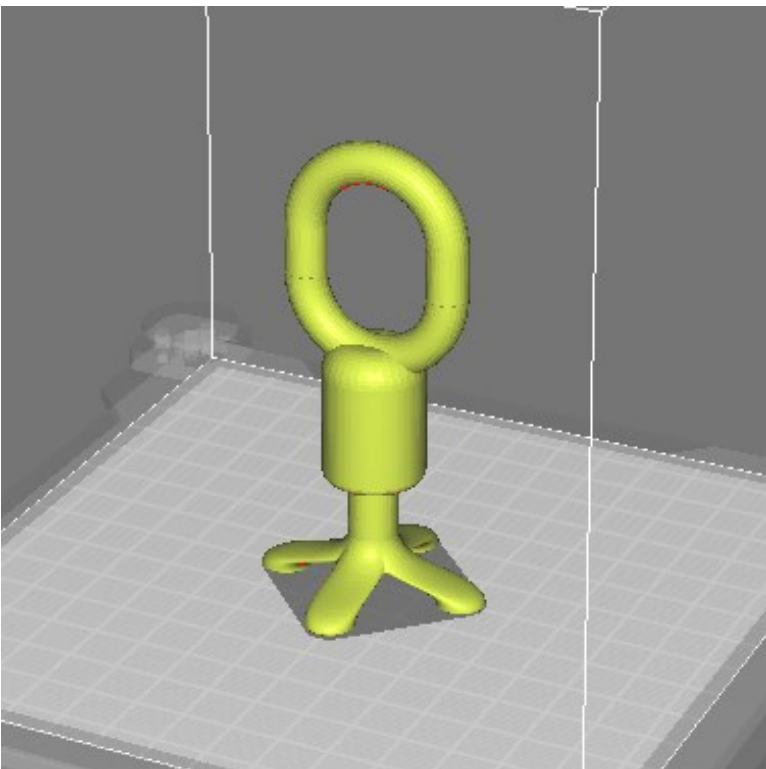


Cup Handle w/ Adjustable  
Option

Print Time: 2 hours, 37 min

Scale of X: 86 mm (ring)

Special instructions: Adjustable  
ring to be used with Velcro  
strap; needs screw.



Keyboard Joystick for Gaming 1

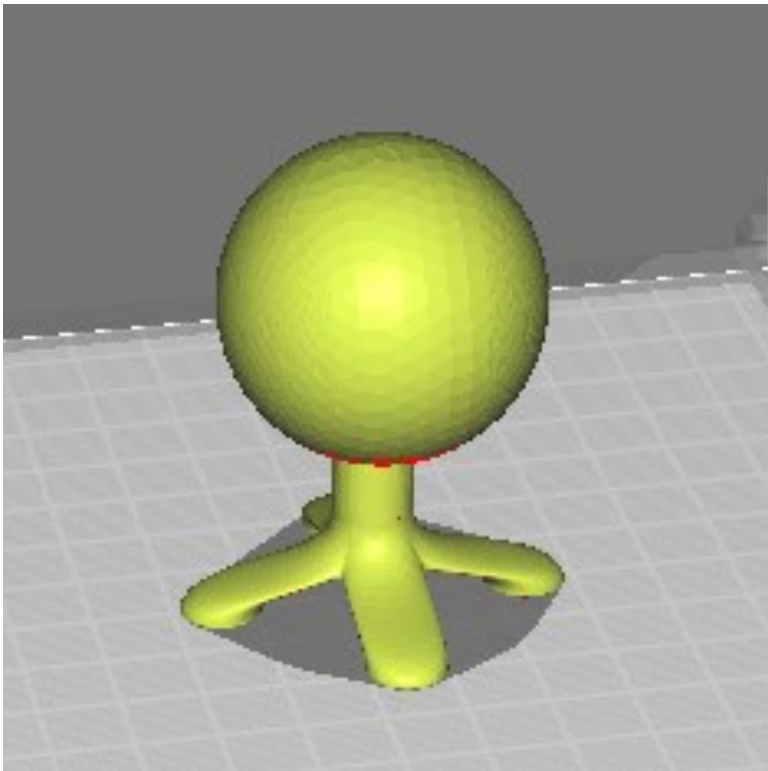
Print Time: 1 hour, 450 min

Scale of X: 47.9 mm

Special instructions:

Print with supports





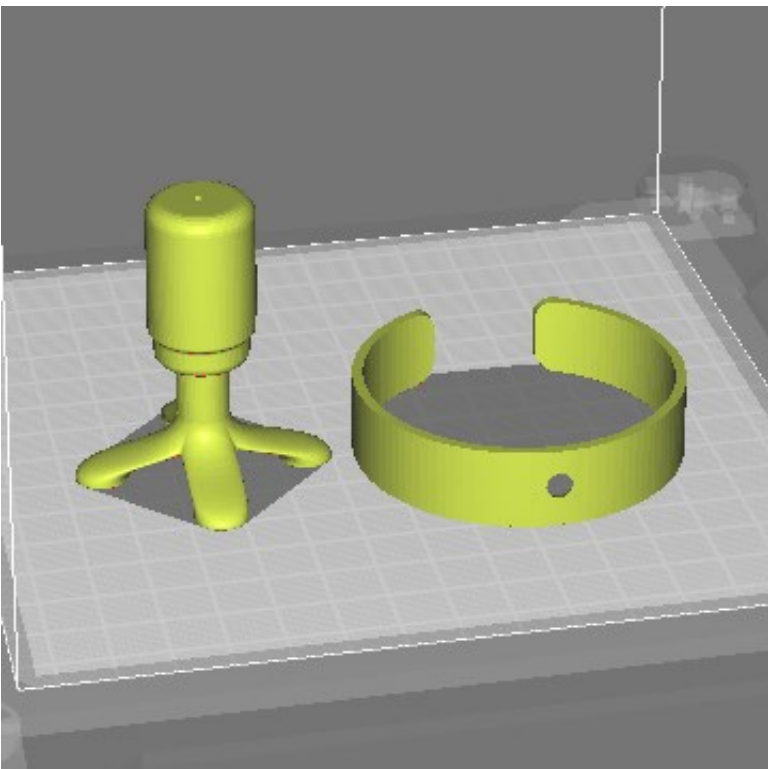
## Keyboard Joystick for Gaming 2

Print Time: 1 hour, 45 min

Scale of X: 47.9 mm

Special instructions:

Print on side w/ supports



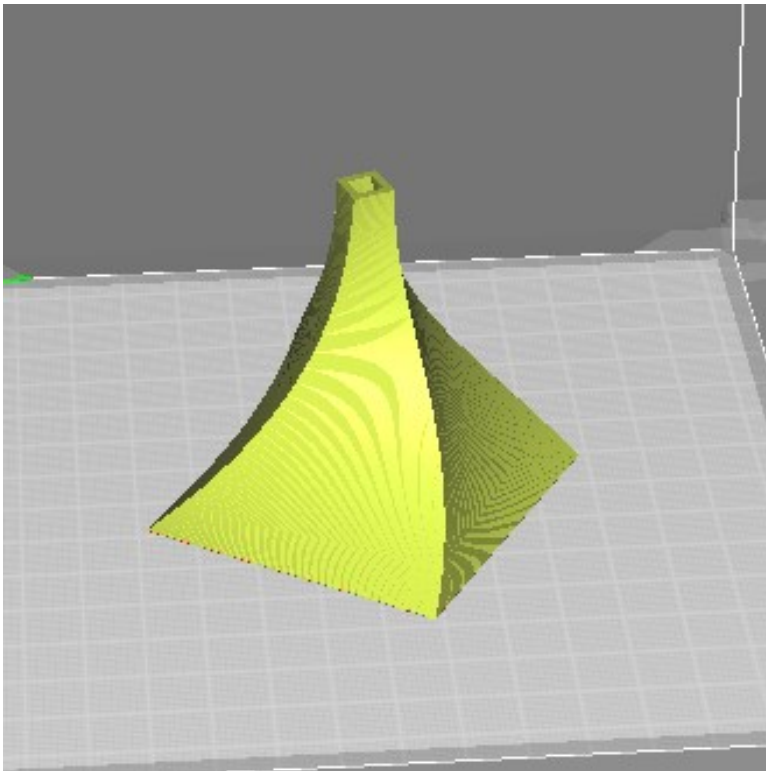
## Keyboard Joystick for Gaming 3 (With Wrist Ring)

Print Time: 1 hour, 29 min

Scale of X: 47.9 mm (stand)

60.3 mm (ring)

Special instructions:



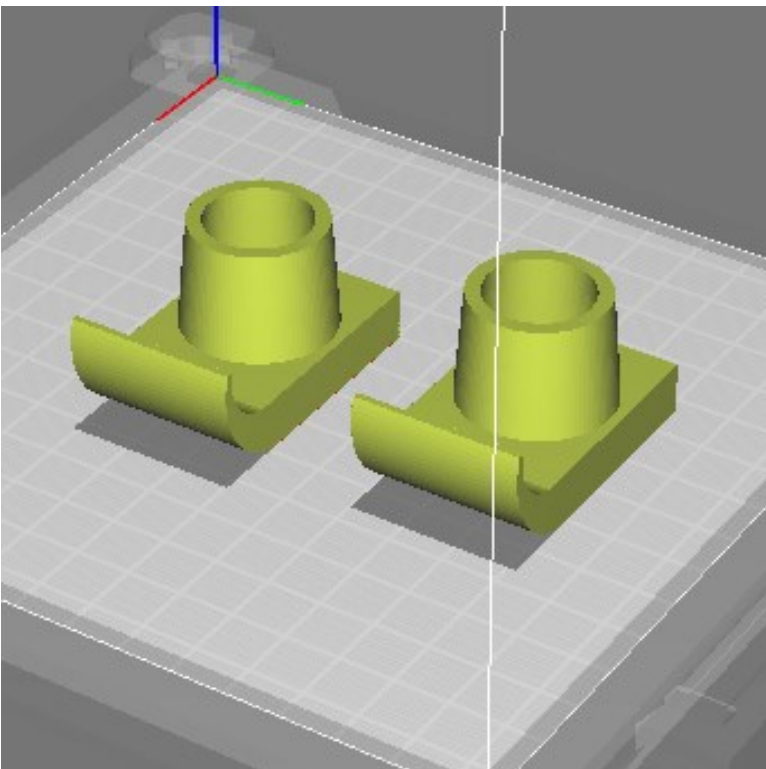
## Funnel

Print Time: 1 hour, 51 min

Scale of X: 77.1 mm

Special instructions:

Print on side w/ supports

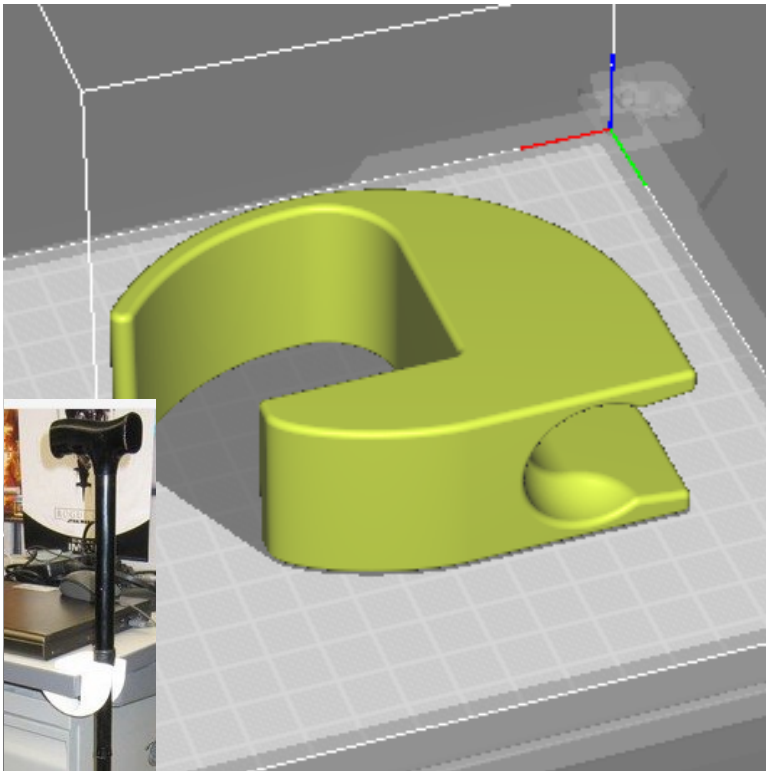


## Walker Skis

Print Time: 2 hours, 1 min

Scale of X: 52.6 mm

Special instructions:



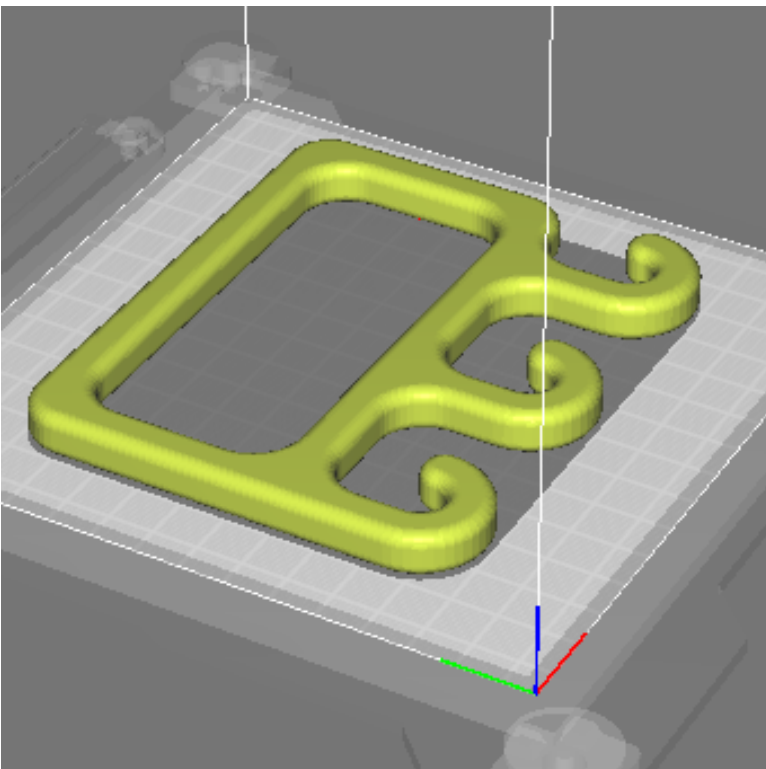
Cane Holder (for countertop)

Print Time: 3 hours, 8 min

Scale of X: 98.7 mm

Special instructions:

Print on side w/ supports



Bag Holder

Print Time: 1 hours, 50 min

Scale of X: 120 mm

Special instructions: